



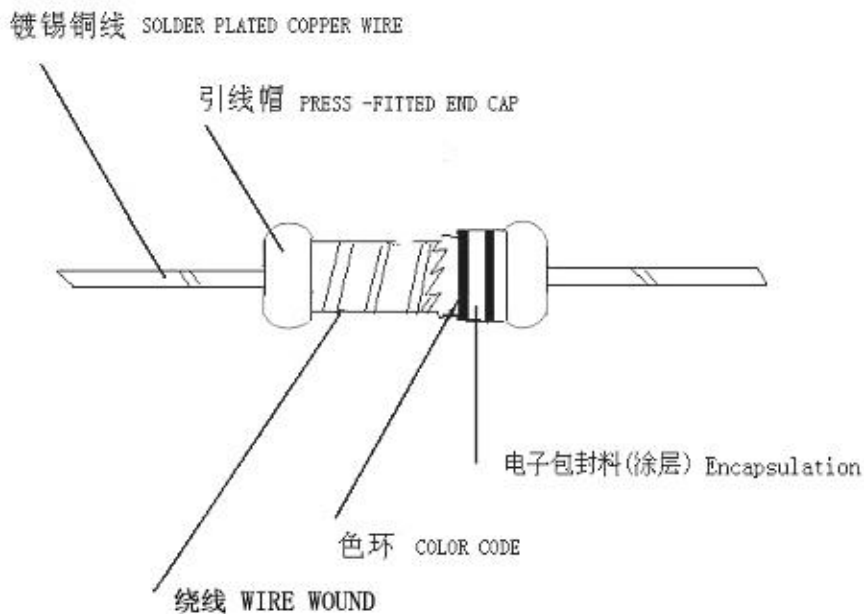
一. 品名 TYPE NAME

依据其种类，分别标明型号、额定功耗、标称阻值、精度、和形状。

According to the types of power rated, resistor value, tolerance and shapes.

<u>NKNP</u>	<u>3WS</u>	<u>OR1</u>	<u>±5%</u>	<u>TB</u>
Type 型号	Wattage 额定功率	Nominal resistance 标称阻值	tolerance 误差	shape 包装形式

二. 绕线电阻器结构图 WIRE WOUND RESISTOR CONSTRUCTION



REMARK: 底漆颜色 COATING COLOR : 灰色

三. 特点 FEATURES

1. 低阻值.

LOW RESISTANCE VALUE.

2. 不燃性绝缘涂装.

FLAME RETARDANT COATING.

3. 标准误差: ±5% (可根据客户要求做 2%)

STANDARD TOLERANCES: ±5% (We can do 2% according to customer's requirement)



4. 环保无铅产品

RoHS COMPLIANT/LEAD-FREE AVAILABLE.

5. 低感抗。

Low impedance.

6. 应用领域：适用于各种电子产品中要求功率大且要求无感抗电路中，特别是高频电路等。

In the areas of application: applicable to all kinds of electronic products required power and require no impedance circuit, especially in high frequency circuit, etc

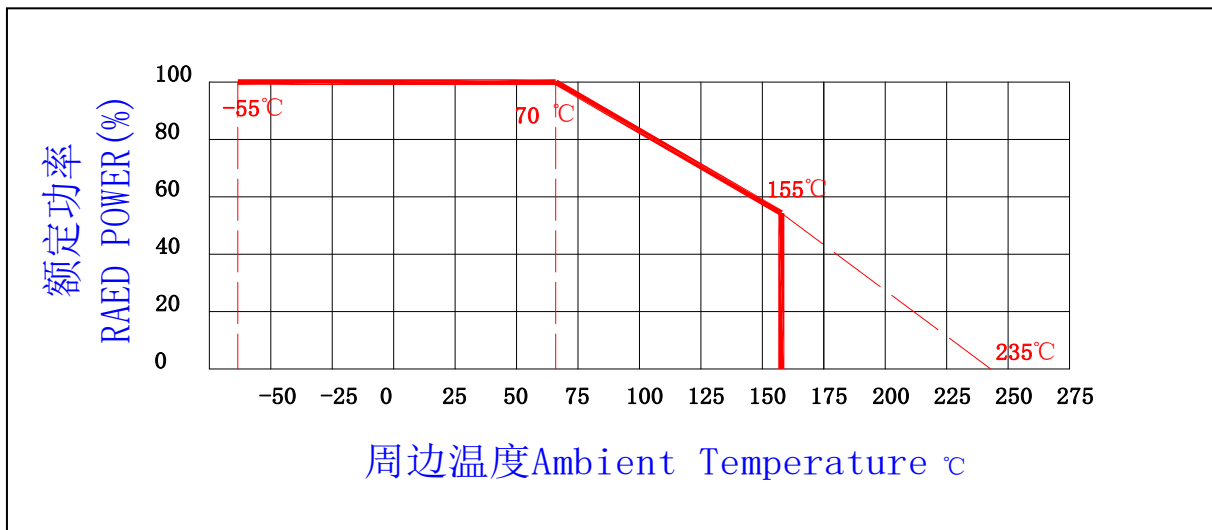
四. 主要技术指标 MAIN SPECIFICATION

型号 Type	最大工作电压 WORKING	最大负荷电压 MAX OVERLOAD	额定功率 Rated Power at 70°C	电阻范围 RESISTANCE VALUE RANGE
NKNP 1/2W	250V	500V	1/2W	0.1Ω—10Ω
NKNP 1W / 1WS	300V	600V	1W	0.1Ω—50Ω
NKNP 2W / 2WS	350V	700V	2W	0.1Ω—100Ω
NKNP 3W / 3WS	350V	700V	3W	0.1Ω—200Ω
NKNP5W	500V	700V	5W	0.1Ω—300Ω

1. 额定功率 POWER RATING

额定功率的定义为在环境温度 70°C 最大输出功率。当环境温度超过 70°C，额定功率按下图曲线递减。

Power rating is defined as maximum power rating continuously applied under ambient temperature at 70°C. when the ambient temperature exceeds 70°C, The rated power decreases according to the curve below.



2. 额定电压 RATED VOLTAGE



额定电压为交流或直流电压（频率为 50Hz 或 60Hz）额定电压计算方式为：

Rated voltage is defined as the DC or AC (effective Value at commercial frequency example 50 C/S, 60 C/S), Voltage when rated power is applied and can be calculated By the following:

$$V = \sqrt{P \times R}$$

V = RATED VOLTAGE

P = RATED POWER (WATTS)

R = NOMINAL RESISTANCE VALUE (OHM)

When the calculated rated voltage exceeds the Maximum usable voltage flue shown in CHART, the Maximum usable voltage is defined as the voltage According to the power-decreasing curve shown in CHART.

3. 产品性能 PERFORMANCE

RoHS

项目 ITEM	性能及验收标准 PERFORMANCE AND QUALITY ACCEPTANCE	测试方法 TEST METHOD
温度系数 Resistance to temperature coefficient	PPM ≤ 300PPM	$\text{PPM}/^{\circ}\text{C} = \frac{R - R_0}{R_0} * \frac{10^6}{T - T_0}$ <p>R = Measured resistance (Ω) at T T °C 电阻实测值 (Ω) R₀ = Measured resistance (Ω) at T₀ T₀ °C 电阻实测值 (Ω) T = Measured test temperature(°C) 测试温度的实测值 T₀ = Measured base temperature(°C) 基准温度的实测值</p>
短时负荷 Short time overload	≤ ±(2%R + 0.05ohm) Shall be no mechanical breakage 无破损（外观正常）	2.5 倍额定电压（交流或直流），5 秒。 AC or DC voltage 2.5times the rated Voltage for 5 seconds .
耐电压 Voltage endurance	No breakdown or flashover 无击穿或飞弧	将电阻放于“V”形槽内，加 1.42 倍 额定电压，保持一分钟。 Lay the resistor on the 90° angle metal “V” peak is 1.42 times as much as insulate voltage .
端子强度 Terminal strength	内外部无损伤 Shall be no mechanical breakage	施加 3.5KG 30S 的拉力 Pull test apply 3.5KG force to the lead in the direction of lead axis for 30±5 seconds.



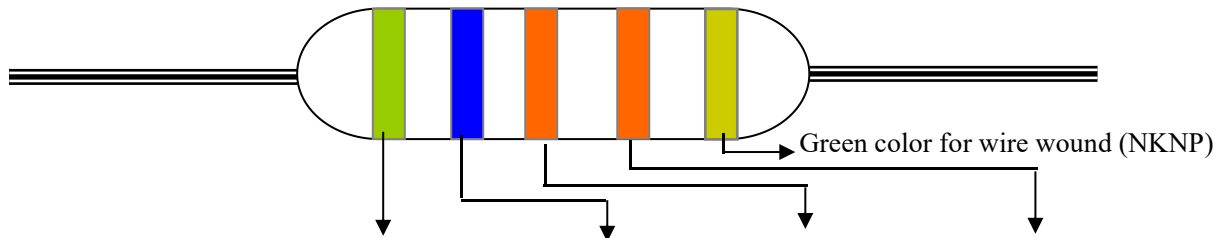
耐焊性 Heat resistively against soldering	$\leq \pm (2\%R + 0.05\text{ohm})$ Shall be no mechanical breakage 无破损（外观正常）	将电阻引出端浸入 $350^{\circ}\text{C} \pm 10^{\circ}\text{C}$ 的锡中，深度离电阻体 $3 \pm 0.05\text{mm}$ ，时间 3.5 ± 0.5 秒。放置一小时再测试。 Dip the lead in to a solder bath having a temperature of $350^{\circ}\text{C} \pm 10^{\circ}\text{C}$ up to $3 \pm 0.05\text{mm}$ from the body of the resistor and hold it for 3.5 ± 0.5 seconds leave the resistor ,at room temperature 1 hours after ,then Measure.
寿命试验 Load life test	$\leq \pm (5\%R + 0.05\text{ohm})$ Shall be no mechanical breakage 无破损（外观正常）	在 70°C 的环境中施加额定电压，1 小时通，0.5 小时断 1000 小时。 In the constant temperature chamber 70°C ,apply rated voltage for 1 hour and shut voltage for 0.5 hour and repeat this cycle for 1000 hours,
上锡效果 Solder ability	$\geq 95\%$	浸入 $260^{\circ}\text{C} \pm 5^{\circ}\text{C}$ 的锡槽中， 时间 5 ± 0.5 秒。 Dip the lead in to a solder bath having a temperature of $260^{\circ}\text{C} \pm 5^{\circ}\text{C}$. Time: 5 ± 0.5 seconds.
湿度负荷试验 Humidity load test	$\leq \pm (5\% R + 0.1\text{ohm})$ Shall be no mechanical breakage 无破损（外观正常）	温度在 $40^{\circ}\text{C} \pm 2^{\circ}\text{C}$ ，相对湿度 90 – 95% 室内，用额定电压 1.5 小时开和关闭电压 0.5 小时，重复这个周期 1000 小时，离开 1 小时后在室温下测试。 In temperature chamber $40^{\circ}\text{C} \pm 2^{\circ}\text{C}$ ，relative humidity 90 – 95%,Apply rated voltage 1.5hour and shut voltage 0.5 hour repeat this cycle for 1000 hours, leave in room



RoHS

		temperature for 1 hour after test.
耐振性 Vibration	Shall be no mechanical breakage 无破损（外观正常）	设置振动频率在 10HZ - 55HZ 10HZ/秒 1.5mm 的幅度, 在 1 分钟更换频率的。振动三个方向, 在 3 小时内完成。 set a resistor at the vibration table and vibrate 10HZ—55HZ 10HZ/s. with 1.5mm amplitude in 1 min. when the change of frequency shall be completed uniformly. the vibration shall apply to 3 directions, vertical and horizontal to the axis of resistor each for 3h.
上限类别温度耐久性 Endurance at upper-limit temperature	$\leq \pm(5\%R+0.1\Omega)$	在 125℃ 温度下, 持续时间 1000H At 125 °C temperature, duration of 1000h

五. 标示 Marking



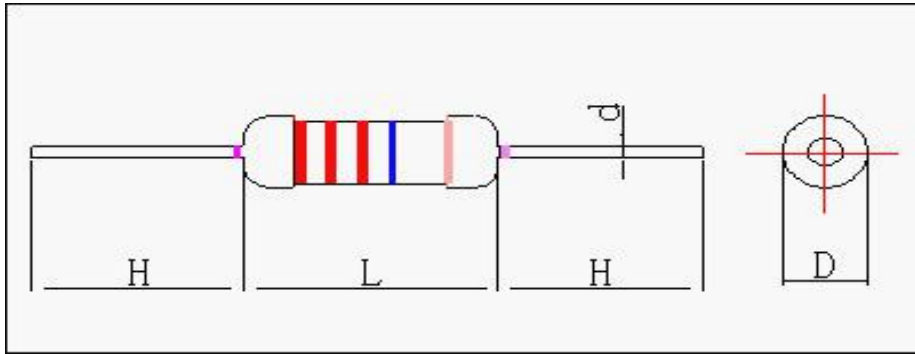
Color	1 st Band	2 nd Band	3 th Band	Tolerance
Black 黑	0	0	10 ⁰	
Brown 棕	1	1	10 ¹	±1 % (F)
Red 红	2	2	10 ²	±2 % (G)
Orange 橙	3	3	10 ³	
Yellow 黄	4	4	10 ⁴	
Green 绿	5	5	10 ⁵	±0.5 % (D)
Blue 蓝	6	6	10 ⁶	±0.25 % (C)
Violet 紫	7	7	10 ⁷	±0.1 % (B)
Grey 灰	8	8	10 ⁸	±0.05 % (A)
White 白	9	9	10 ⁹	



Gold 金			10^{-1}	±5% (J)
Silver 银			10^{-2}	±10% (K)

RoHS

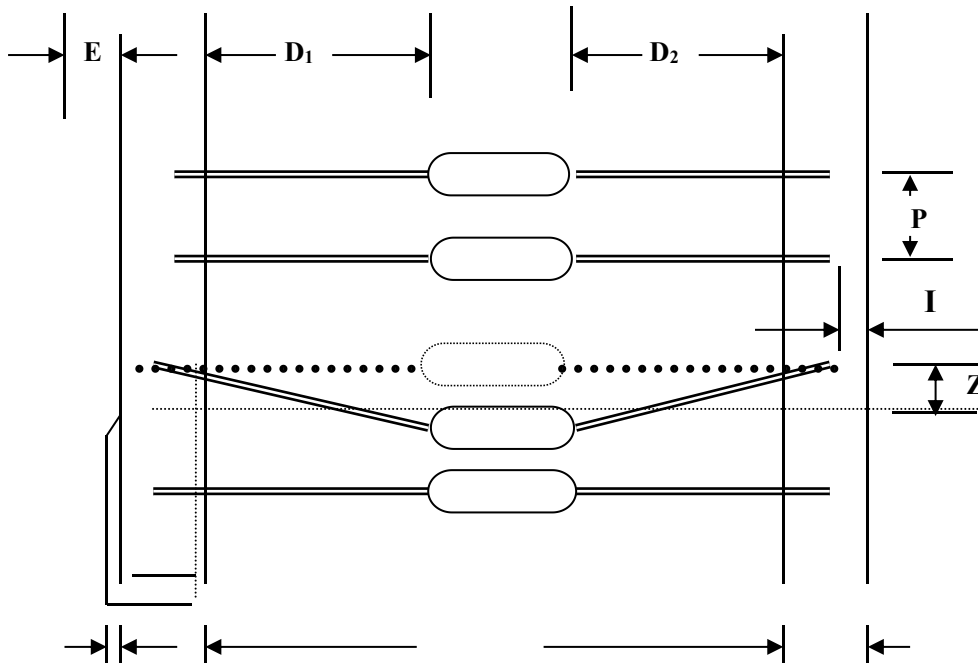
五. B 型尺寸 Dimension (B)



Unit: m/m

TYPE		L	D	H	d	PULLING(Kg)
1/2W / 1WS		9.0±1.0	3.5±0.5	26±2.0	0.56±0.05	2.5Kg-30S
1W / 2WS	T52	11.0±1.0	4.5±0.5	25±2.0	0.65±0.05	3Kg-30S
	T63	11.0±1.0	4.5±0.5	31±2.0	0.65±0.05	3Kg-30S
	T73	11.0±1.0	4.5±0.5	34±2.0	0.65±0.05	3Kg-30S
2W / 3WS	T63	15.0±1.0	5.0±0.5	29±2.0	0.70±0.05	5Kg-30S
	T73	15.0±1.0	5.0±0.5	33±2.0	0.70±0.05	5Kg-30S
3W / 5WS	T63	17.0±1.0	6.0±0.5	27±2.0	0.70±0.05	5Kg-30S
	T73	17.0±1.0	6.0±0.5	32±2.0	0.70±0.05	5Kg-30S
5W		24.0±1.0	8.0±1.0	28±2.0	0.75±0.05	5Kg-30S

六. 编带尺寸 Taping Dimension (TB)





S

TB

W

Unit: m/m

WATTS	Type	TB	P±0.5	W±0.5	(D1-D2) MAX	E MAX	Z MAX	S MAX	(I) MAX
1/2W / 1WS	T 52	52±1.5	5	6	0.8	0	1.2	0.8	3.2
1W / 2WS	T52	52±1.5	5	6	0.8	0	1.4	0.8	3.2
	T 63	63±1.5	5	6	0.8	0	1.4	0.8	3.2
	T 73	73±1.5	5	6	0.8	0	1.4	0.8	3.2
2W / 3WS	T63	63±1.5	5	6	0.8	0	1.4	0.8	3.2
	T 73	73±1.5	5	6	0.8	0	1.4	0.8	3.2
3W / 5WS	T 73	73±1.5	10	6	0.8	0	1.4	0.8	3.2
	T63	63±1.5	5	6	0.8	0	1.4	0.8	3.2
5W	T 73	73±1.5	10	6	0.8	0	1.4	0.8	3.2

九. 包装 PACKING

1. 标签规格 LABEL SPECIFICATION

- 1) . TYPE、WATTS
- 2) . RESISTOR VALUE AND TOLERANCE
- 3) . QUANTITY
- 4) . LOT NO.

2. 包装数量 Packing quantity

Unit: BOX / Kpcs

QTY	TYPE	1/2W	1W	2W	3W	5W
	T52	2.5	1	NA	NA	NA
T63	NA	1	1	0.5	0.25	



附加	T73	NA	1	1	0.5	0.25
	B	5	4	3	2	1
	F	5	4	3	2	1
	M	5	4	3	2	1
	MB	NA	4	3	2	1
	MK	NA	4	3	2	1

说明:

Additional instructions:

1、产品存放条件 product storage conditions

a 电阻器应存放在干燥、通风的环境条件下，产品不得受阳光直接照射；

Resistor should be stored in dry and ventilated environment conditions, the product shall not be affected by direct sunlight;

b 电阻器存放环境应无酸、碱、硫化等具有腐蚀气氛的环境中； Resistor to deposit environment should be no acid, alkali corrosion, sulfide, etc have atmosphere environment;

c 产品存储时间不得超过两年。 Product storage time may not exceed two years .

2、产品使用补充说明 Products use added



a 产品功率负荷，遵循额定功率降功耗曲线负荷；Product power load, follow the rated power drop curve of load power consumption;

b 工作电压按额定电压计算公式计算：Working voltage according to the rated voltage calculation formula:

$$V = \sqrt{P \times R}$$

式中：

V = 额定电压 (伏特) rated voltage (volt)

P = 额定功率 (瓦特) rated power (watts)

R = 标称电阻值 (欧姆) nominal resistance (ohms)